

Wahrheits-Tabelle

A	B	C	D
L	L	L	L
H	L	L	L
L	H	L	L
H	H	L	L
L	L	H	L
H	L	H	L
L	H	H	L
H	H	H	L
L	L	L	H
H	L	L	H
L	H	L	H
H	H	L	H

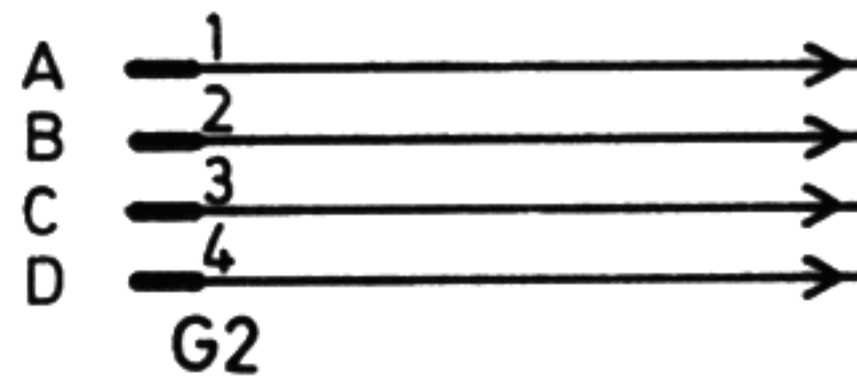
H = 2-18V, L = < 0,8V

Station Potentiometer/
Bandschalter

- ①
- ②
- ③
- ④
- ⑤
- ⑥
- ⑦
- ⑧
- ⑨
- ⑩
- ⑪
- ⑫

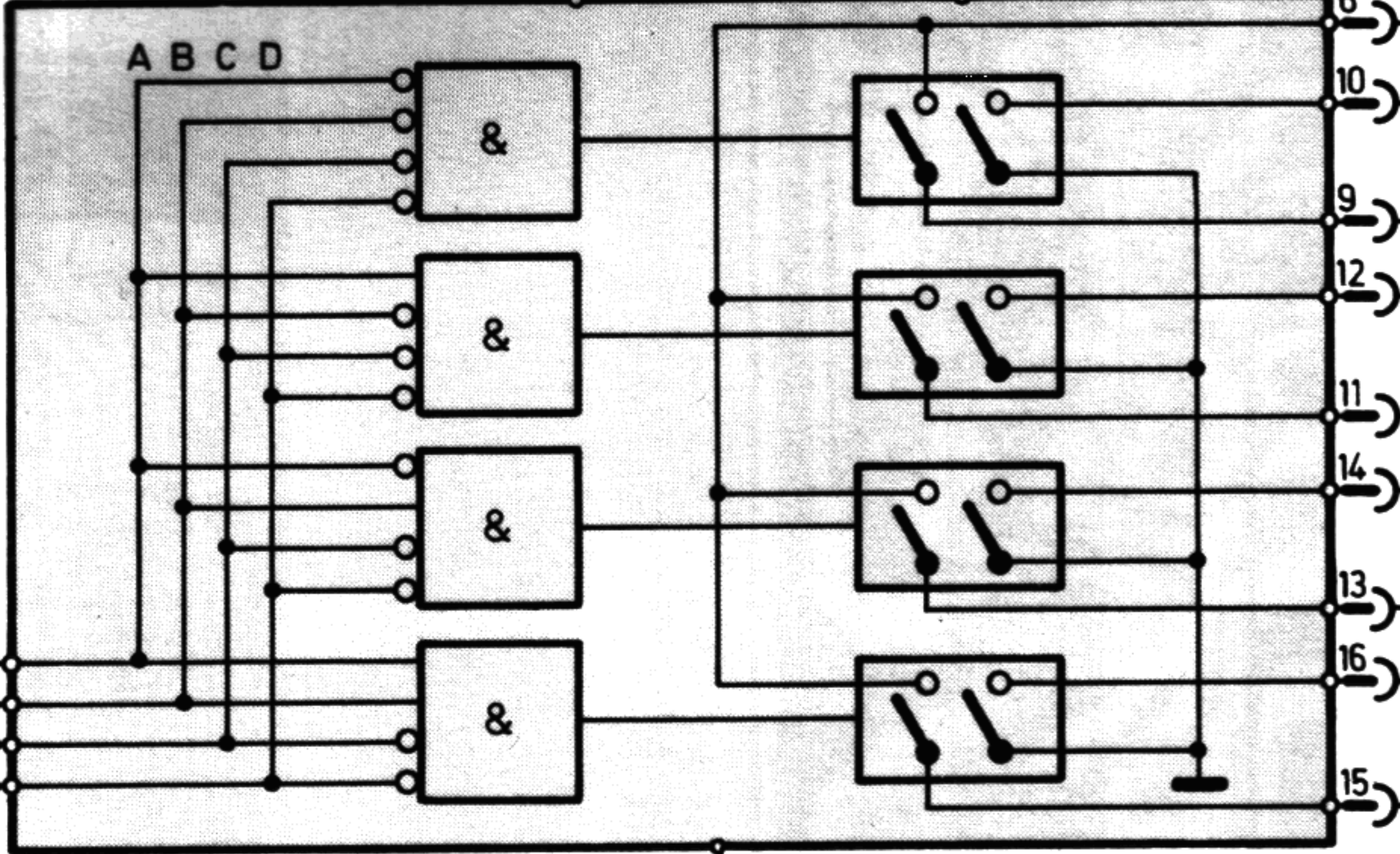
8-fach

12-fach

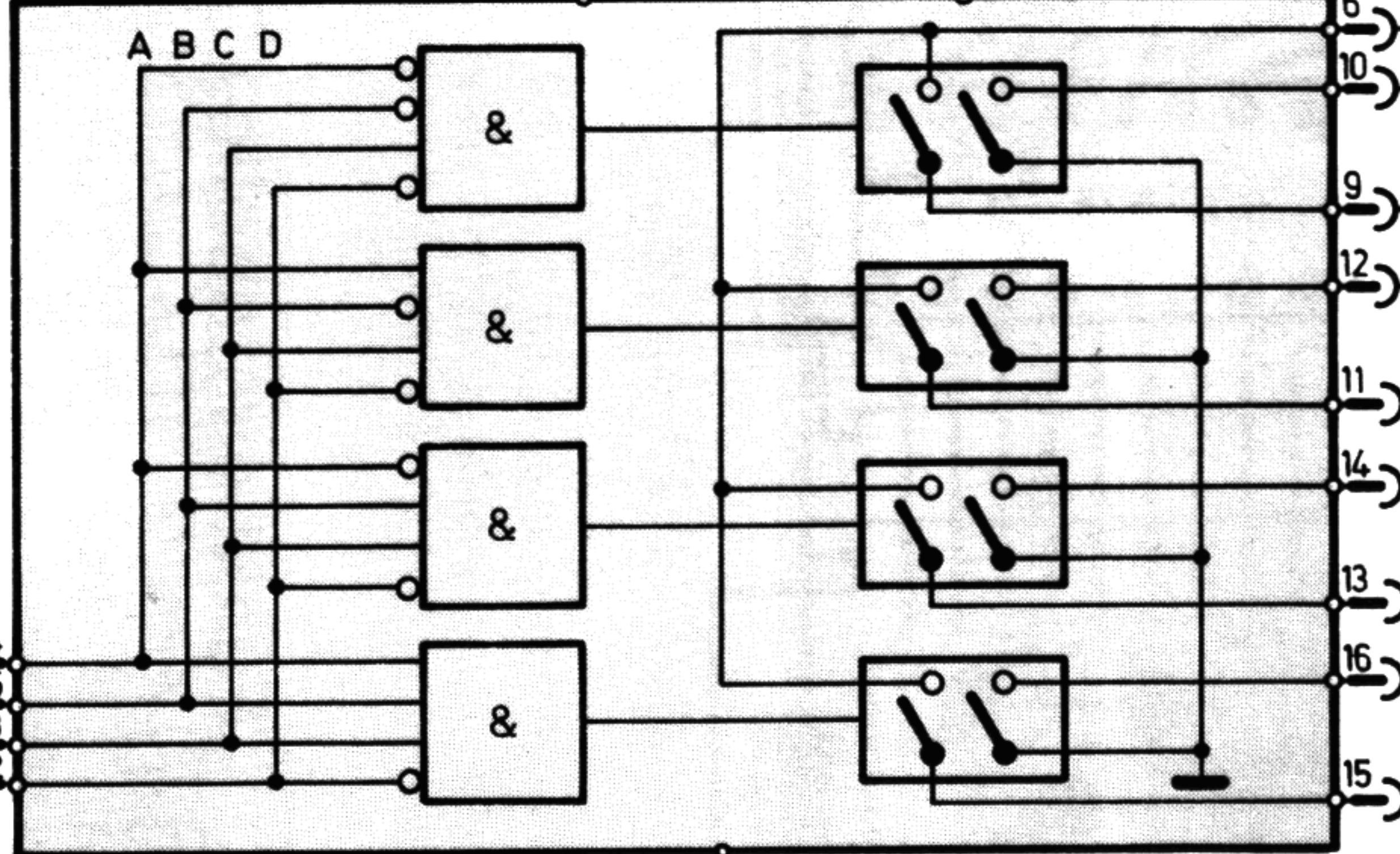


A B C D

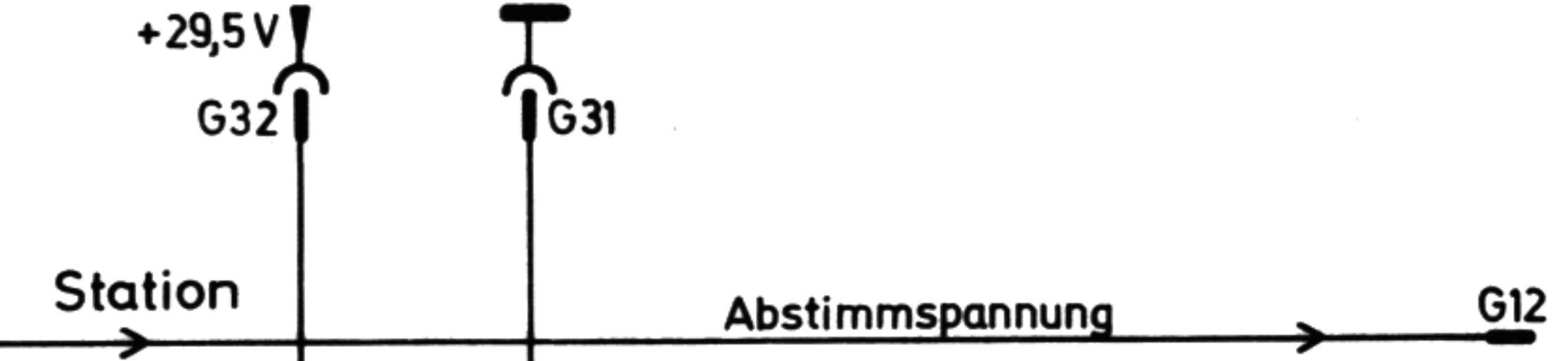
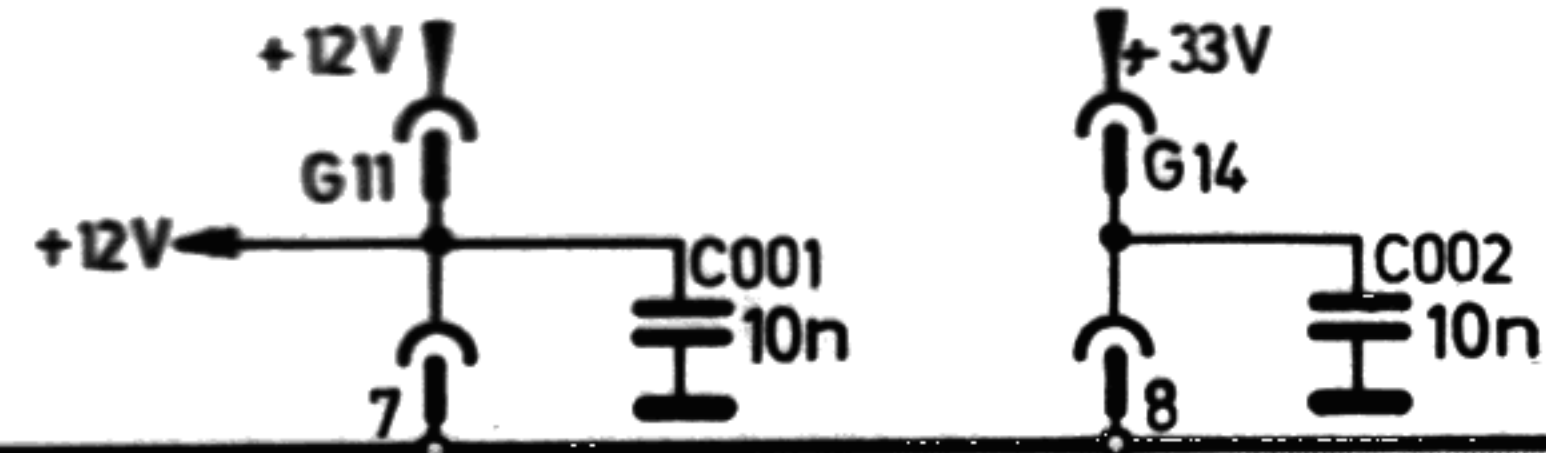
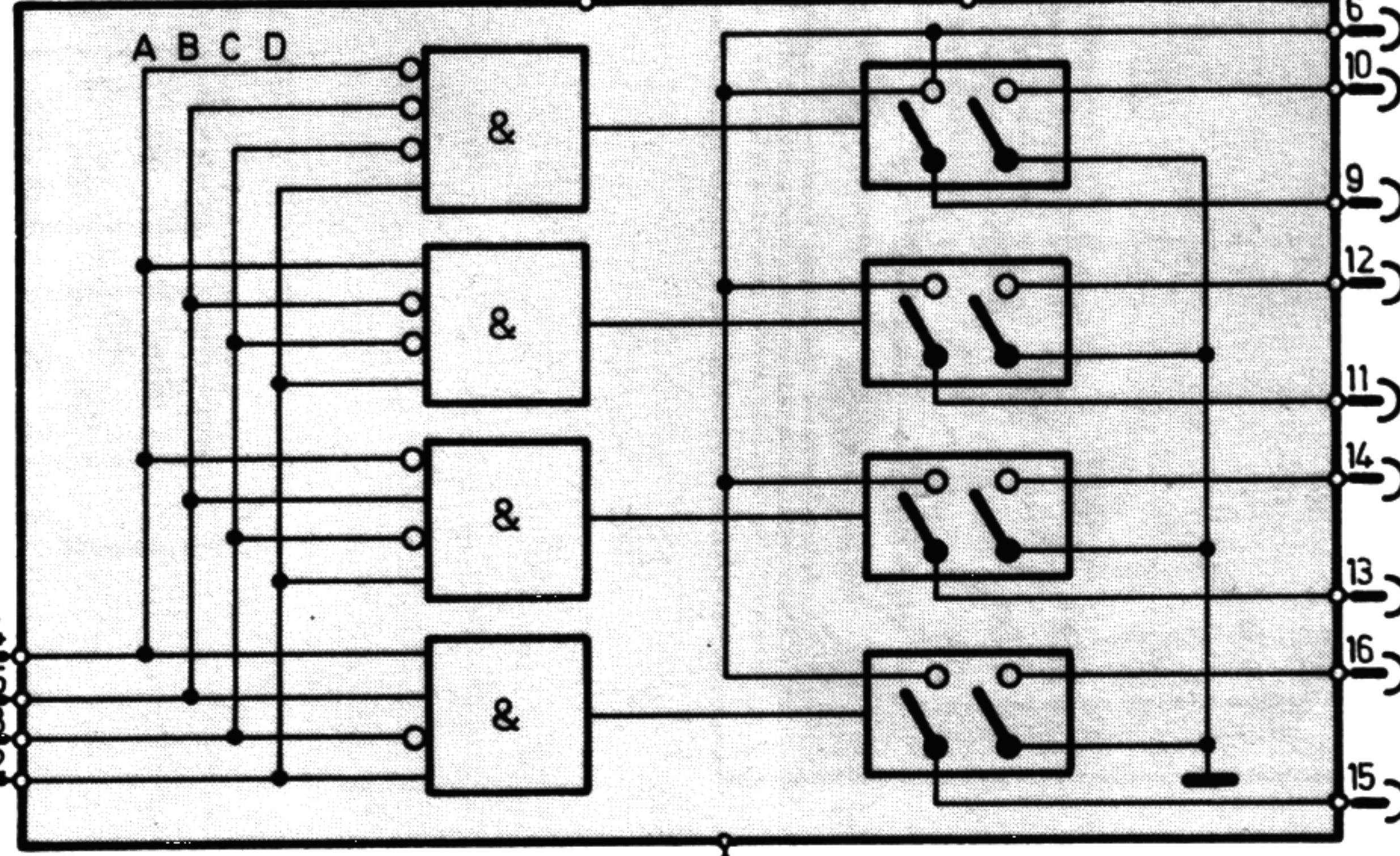
IC001
SN 29770 BN



IC002
SN 29771 BN



IC003
SN 29772 BN



12x 100k
lin.
Spindelpoti

